

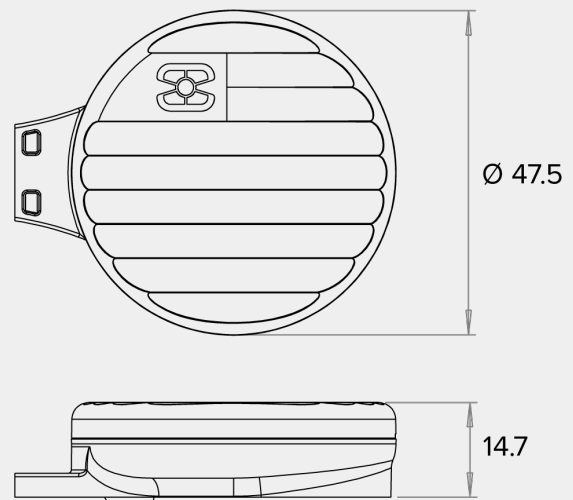
# into® Sensor



The into® Sensor measures the surrounding temperature, humidity, and water through three different types of sensors. It transmits the data wirelessly to our cloud application into® Control System (iCS) through a Gateway using encrypted and secured technology. In iCS the data is processed with machine learning and if the system finds an abnormal moisture value or an immediate leakage it warns the involved users. The into® Sensor is configured as a data logger reading all these values in specified intervals and transmits the reading in intervals depending on chosen Mode. The logging interval can be configured from every 1 minute up to 15 minutes. To ensure a simple installation does all into® products have a double-sided tape and integrated QR-code.

## Features

- Robust design, IP67
- Long battery life
- Wireless range of 200 meters
- Possible to extend the water sensor by sensor tape
- Automatic activation by magnet
- Installation by QR-code
- Easy mounting by double-sided tape



## Specifications

Temperature range	-40 – 85 °C
Dimension	Ø47.5 x 14.7 mm (± 0.2 mm)
Battery life	+10 years (depending on Mode)
Certification	CE, Batteries directive
Wireless range	200 meters outdoor, 30 – 50 meters indoor <sup>(1)</sup>
Wireless communication	2.4 GHz
Temperature accuracy	0.01 °C (± 0.4 °C)
Humidity accuracy	0.025 % RH (± 3 % RH)

## Mode

The logging interval is each time the sensor measures its surroundings. In Mode 1, the logging interval is dynamic. If extreme weather is forecasted, the sensor measures more frequently.

	Feature	Log interval	Battery life	Instant warning
1	<i>Normal</i>	<i>15 min</i>	<i>+10 years</i>	<i>No</i>
2	<i>Instant</i>	<i>1 min</i>	<i>10 years</i>	<i>Yes</i>

## Associated products

into® Sensor Plus

into® Sensor Wood

into® Gateway

into® Bracket

## Footnotes

(1) : The wireless range is dependent on building structure and line of sight.

**Environmental factors:** The sensor is designed to handle heavy stress, but exposure to environmental factors such as strong sunlight, mechanical stress, solvents and extensive temperature variations will impact lifetime.

**Water:** The sensor is waterproof, but should not be used in applications where the sensor is submerged. Long time exposure to water will result in water penetration and reduced sensor lifetime.

**Disclaimer:** Sensor Innovation AS, including its affiliates, employees, and all persons acting on its or their behalf, disclaim liability for any errors, inaccuracies or incompleteness contained in any datasheet or in any other disclosure relating to any product. Information contained in this datasheet are expected performance and not guaranteed values. The right is reserved to make changes at any time, as the data sheet is up-to-date and correct at the date of issue.