

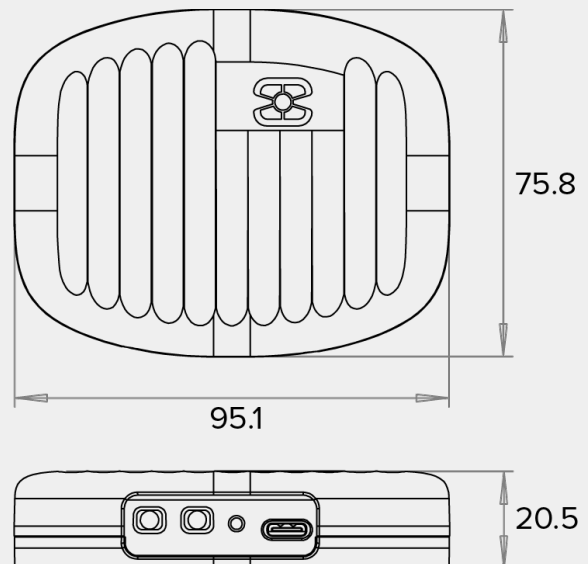
into® Gateway



The into® Gateway connects the whole range of sensors in the into® product portfolio and transmits the data to the cloud through LTE-M cellular connection. The device requires no configuration to install, just wall power or solar power. The Gateway includes a backup battery to support solar power or power outage. The into® Gateway have a option to connect directly to a digital water stopper. It contains a double sided tape and QR-code for simple installation.

Features

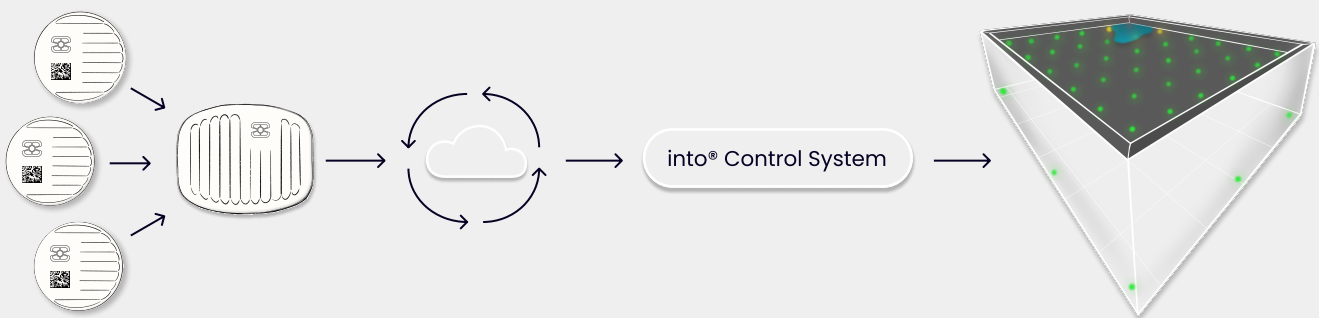
- Robust design, IP67
- Wireless range of 200 meters
- Two mini jack ports, one USB-C for power and one reset button.
- Installation by QR-code
- Easy mounting with double sided tape
- Contains a charger for external power



Specifications

Temperature range	-40 – 85 °C
Dimension	95.1 x 75.8 x 20.5 mm (± 0.2 mm)
Battery life	30 hours
Certification	CE, Batteries directive
Wireless range	200 meters outdoor, 30 – 50 meters indoor ⁽¹⁾
Wireless communication	2.4 GHz, LTE-M Cellular, NB-IoT

Technical architecture



Associated products

- into® Sensor Plus
- into® Sensor Wood
- into® Sensor
- into® Bracket

Footnotes

(1) : The wireless range is dependent on building structure and line of sight.

Environmental factors: The sensor is designed to handle heavy stress, but exposure to environmental factors such as strong sunlight, mechanical stress, solvents and extensive temperature variations will impact lifetime.

Water: The sensor is waterproof, but should not be used in applications where the sensor is submerged. Long time exposure to water will result in water penetration and reduced sensor lifetime.

Disclaimer: Sensor Innovation AS, including its affiliates, employees, and all persons acting on its or their behalf, disclaim liability for any errors, inaccuracies or incompleteness contained in any datasheet or in any other disclosure relating to any product. Information contained in this datasheet are expected performance and not guaranteed values. The right is reserved to make changes at any time, as the data sheet is up-to-date and correct at the date of issue.